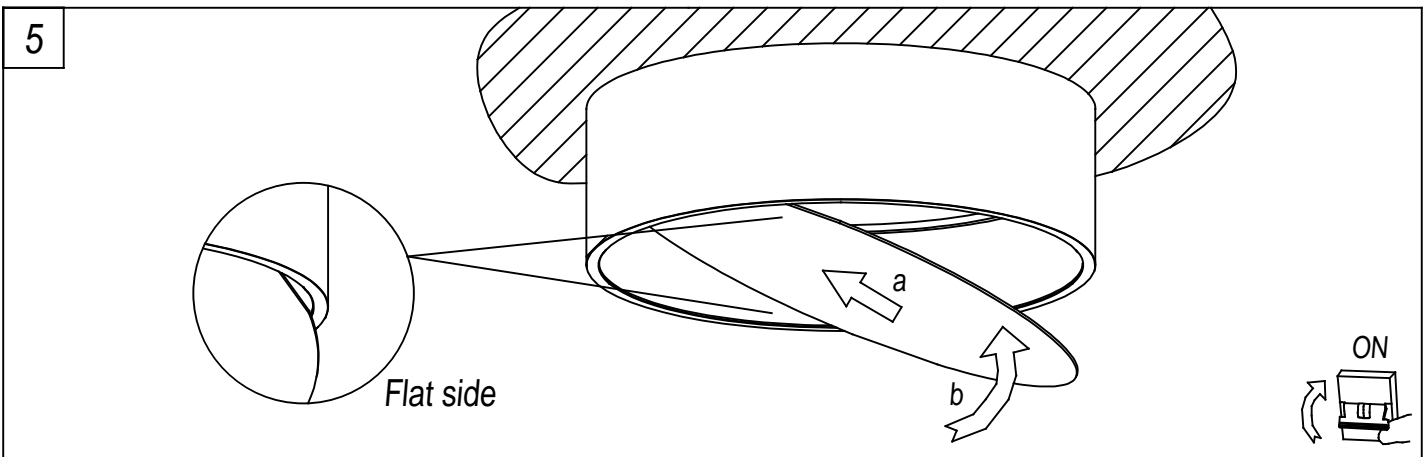
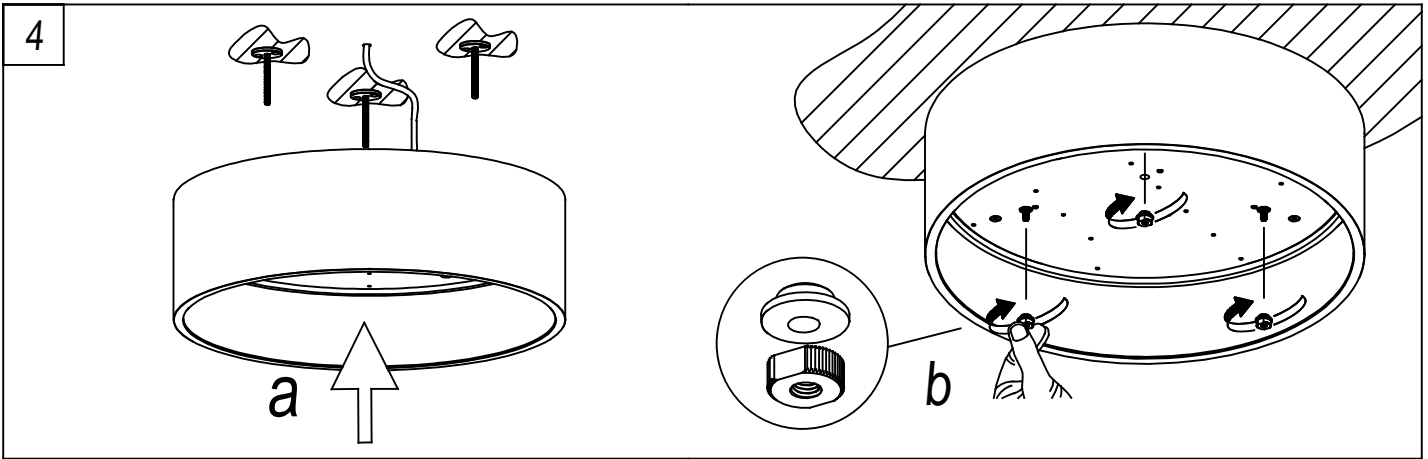
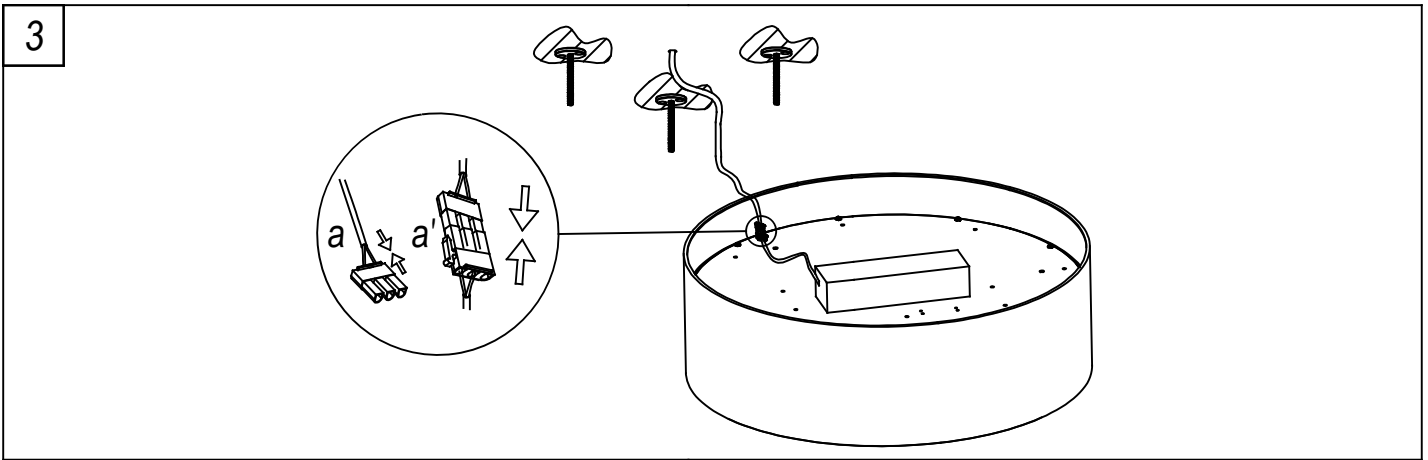
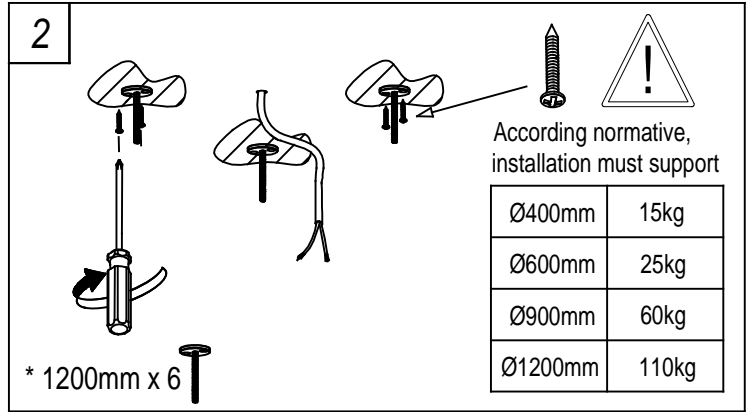
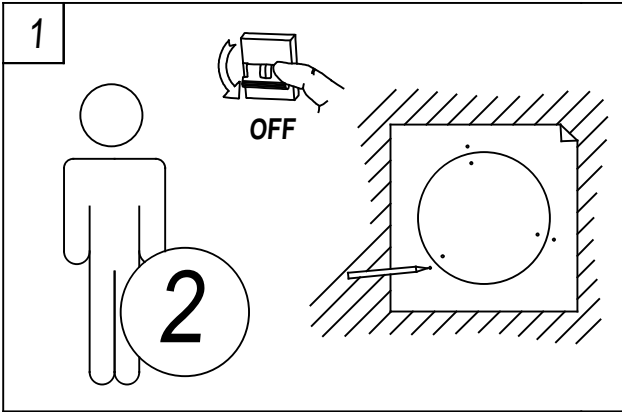


SURFACE



PENDANT

1

OFF

2

According normative, installation must support

Ø400mm	15kg
Ø600mm	25kg
Ø900mm	60kg
Ø1200mm	110kg

2

3

a

b

4

a

b

5

6

a

b

c

7

a

b

Flat side

8

max. 2m

ON

RECESSED

1

OFF

min. 20

min. 20

2

Ø400mm
Ø600mm
Ø900mm
Ø1200mm

2

a

b

max. 1.5m

According normative, installation must support

Ø400mm	15kg
Ø600mm	25kg
Ø900mm	60kg
Ø1200mm	110kg

3

4

a

5

6

5

Flat side

ON