

LEDS C4[®]

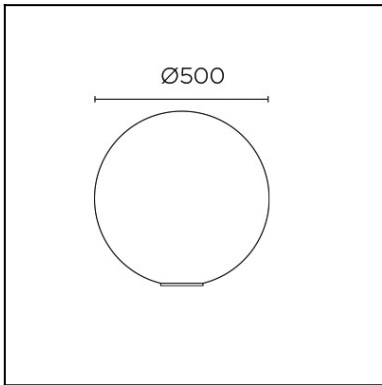
CISNE SURFACE

55-9481-M1-M1

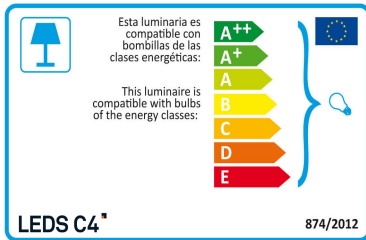
OUT 



The photograph may not match the reference exactly. Please read the product description to identify the finish.



[Download photometric file .ldt /.ies](#)



[Click on image to download energy label](#)

TECHNICAL CHARACTERISTICS

| | |
|--|---------------------|
| Type: | Table lamp |
| IP Protection degrees: | IP44 |
| Light source 1: Bulb specified at the product label | 1 x E27 MAX 150W |
| IK Protection degrees: | IK06 |
| Total power consumption (W): | 150 |
| Angle of the optics / Reflector: | |
| Voltage / Frequency: | 230V/50-60Hz |
| Warranty: | 2 |
| Units per box: | 1 |
| Net Weight (Kg): | 2.160 |
| EAN Code: | 8435111081624 |



MATERIALS / FINISHES

Structure material: Methacrylate

Diffuser material: Methacrylate

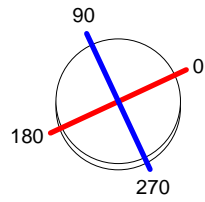
Structure finish: White

Diffuser finish: Opal

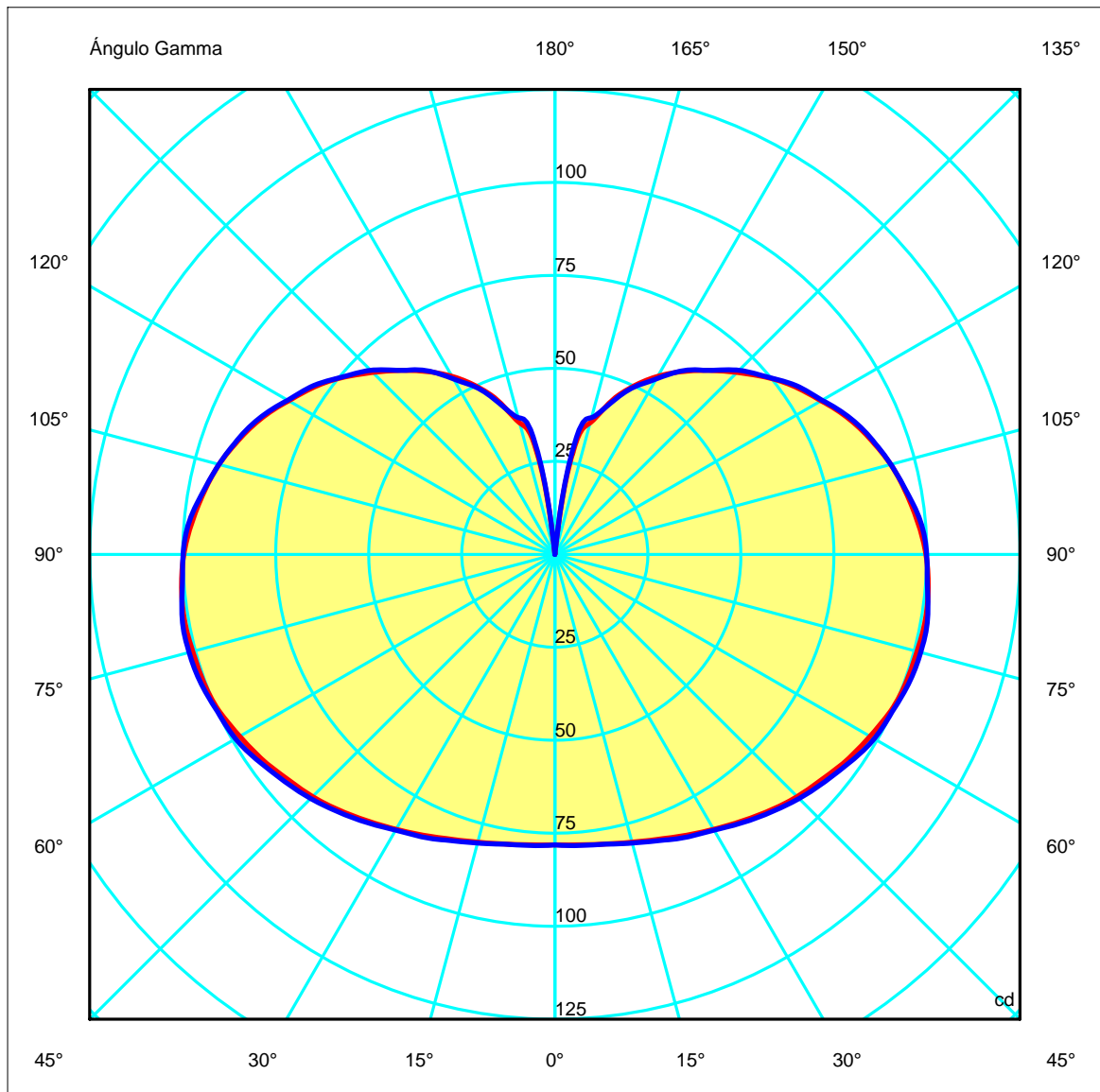
| | | | | | |
|------------------|--------------------------------|-------------------|--------------------|----------------|-------------|
| Luminaria | | Ensayo | | Lámpara | |
| Código | 55-9481-Y4-M1 | Código | 55-9156-Y4-M1 | Código | DELN2341 |
| Nombre | Bola diám. 500 1x23W TC-EL E27 | Nombre | Bola 23W TC-EL E27 | Número | 1 |
| Familia | - LEDS-C4 | Fecha | 17-11-2008 | Posición | Universal |
| Eficiencia | 72.06% | Sist. de Coorden. | C-G | Flujo Total | 1500.00 lm |
| Valor Máximo | 101.77 cd | Posición | C=90.00 G=75.00 | | Bisimétrico |

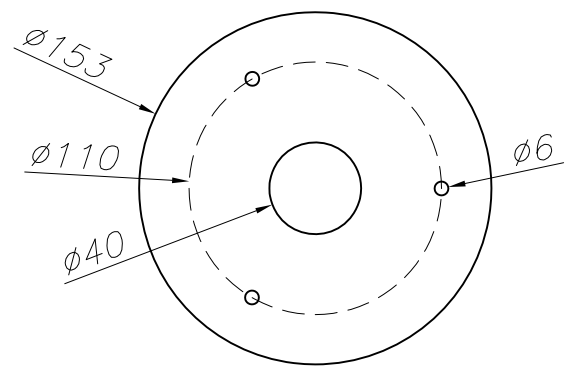
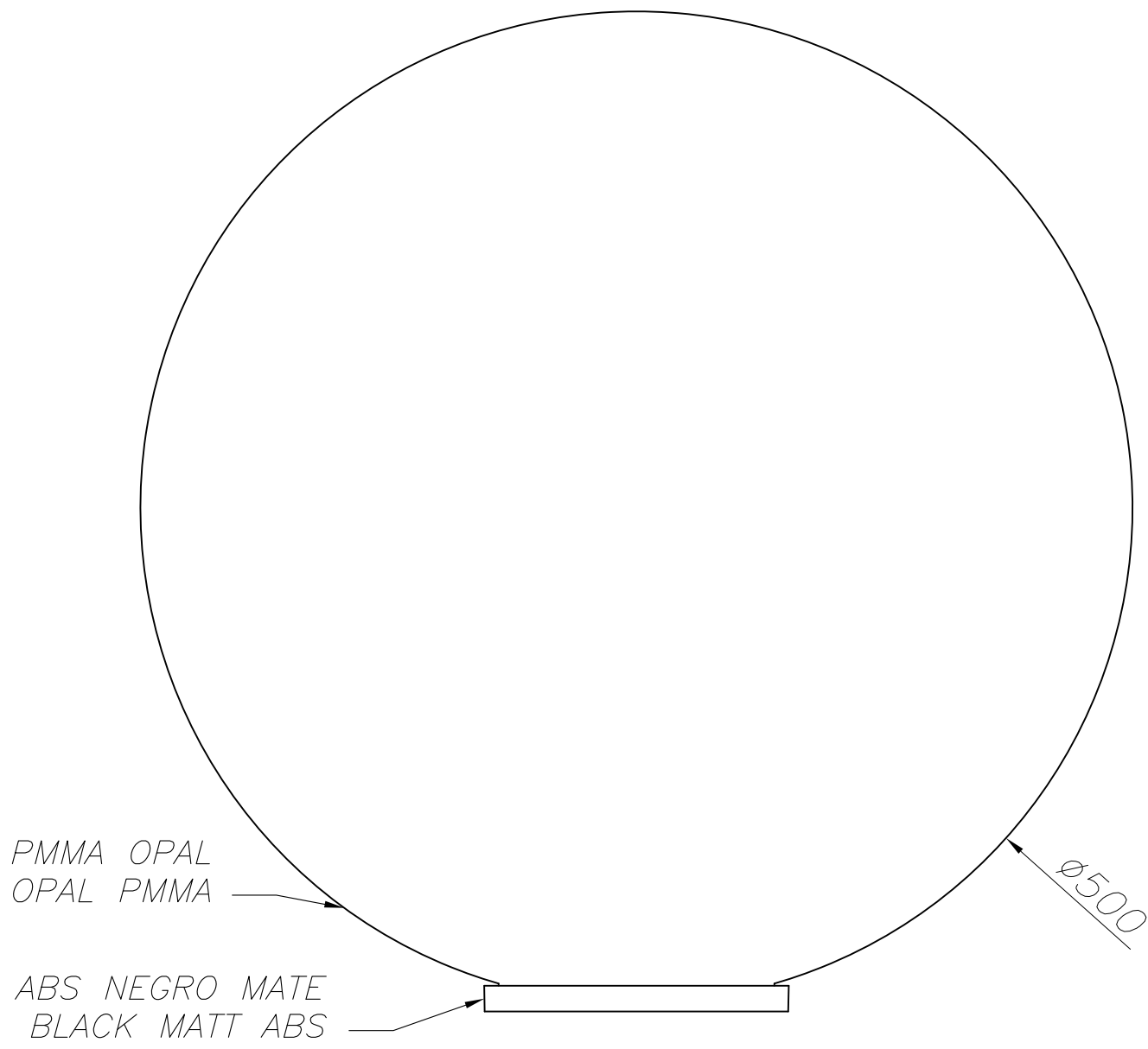
Diam=500mm

Semiplanos C



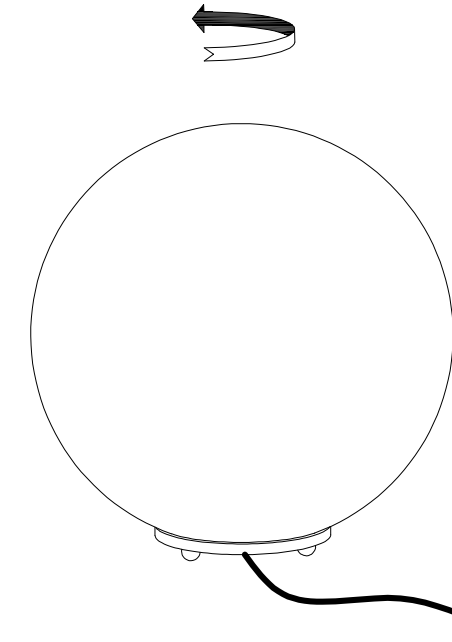
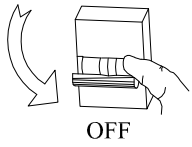
180.0 ——— 0.0
270.0 ——— 90.0



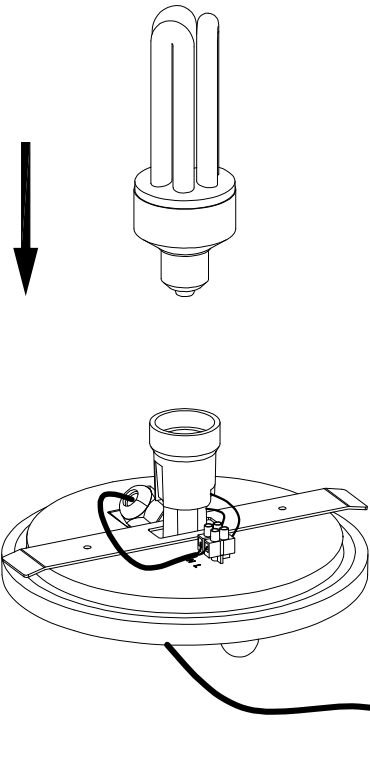


PLANTILLA DE INSTALACIÓN
INSTALLATION TEMPLATE

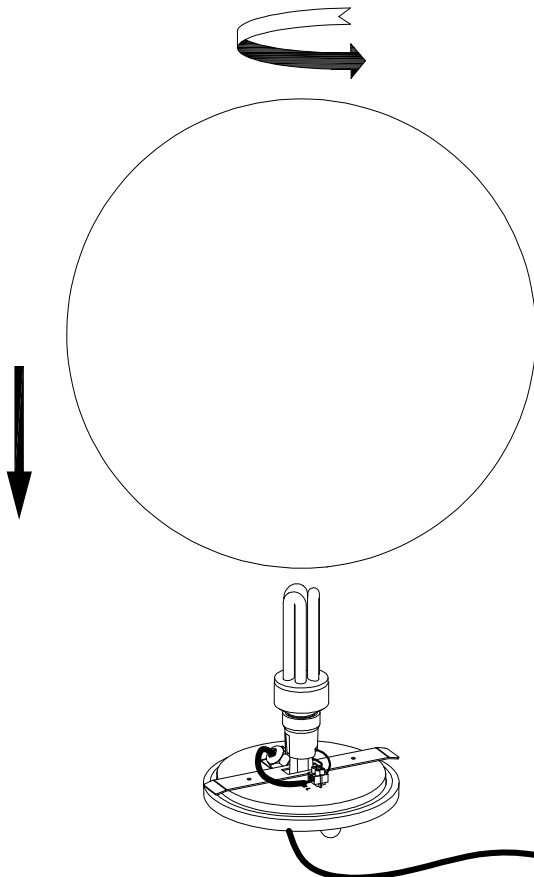
①



②



③



④

