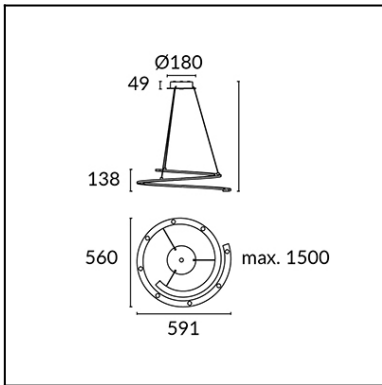
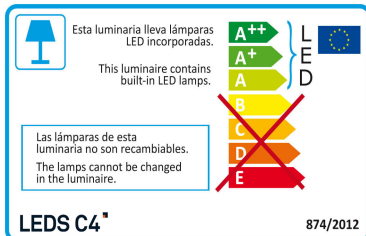




The photograph may not match the reference exactly. Please read the product description to identify the finish.



[Download photometric file .ldt /.ies](#)



[Click on image to download energy label](#)

#### TECHNICAL CHARACTERISTICS

Type:	Pendant
IP Protection degrees:	IP20
Light source 1: Bulb specified at the product label	24 x LED 12.5W Warm White - 3000K 1296 lm <sup>(N)</sup> CRI 80
Total power consumption (W):	14W
Angle of the optics / Reflector:	
Voltage / Frequency:	100-240VAC/50-60Hz
Warranty:	2
Option to extend the guarantee:	5
Units per box:	4
Net Weight (Kg):	2.000
EAN Code:	8435381425807



#### MATERIALS / FINISHES

**Structure material:** Aluminium

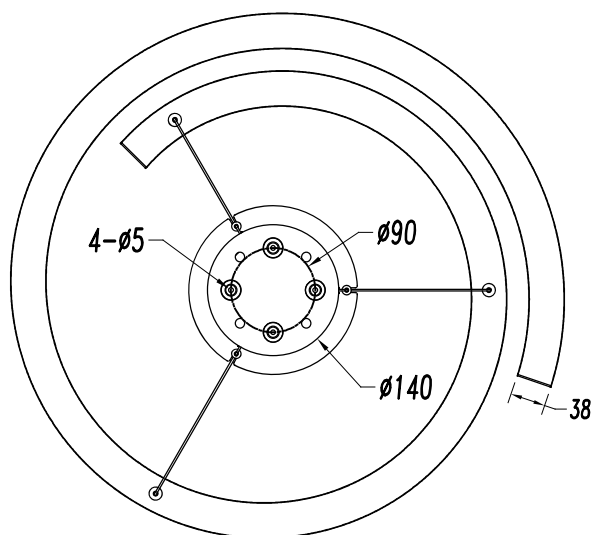
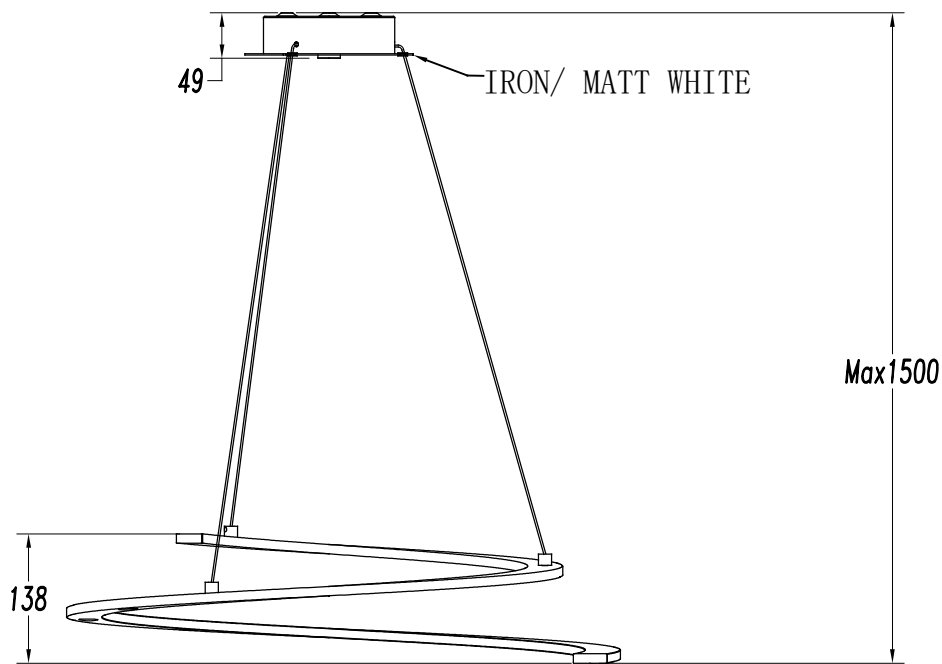
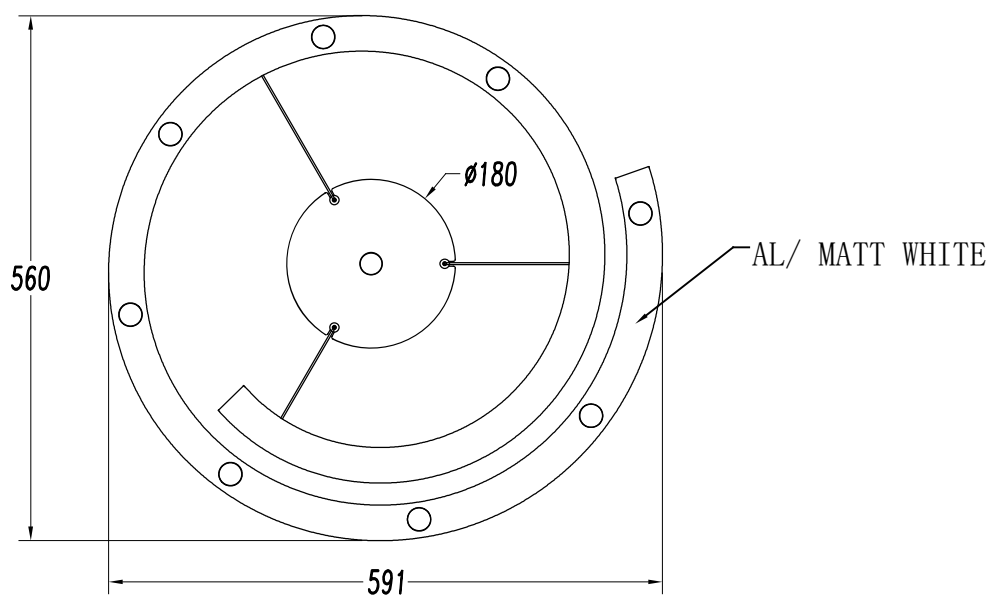
**Diffuser material:** Polycarbonate

**Structure finish:** Matt white

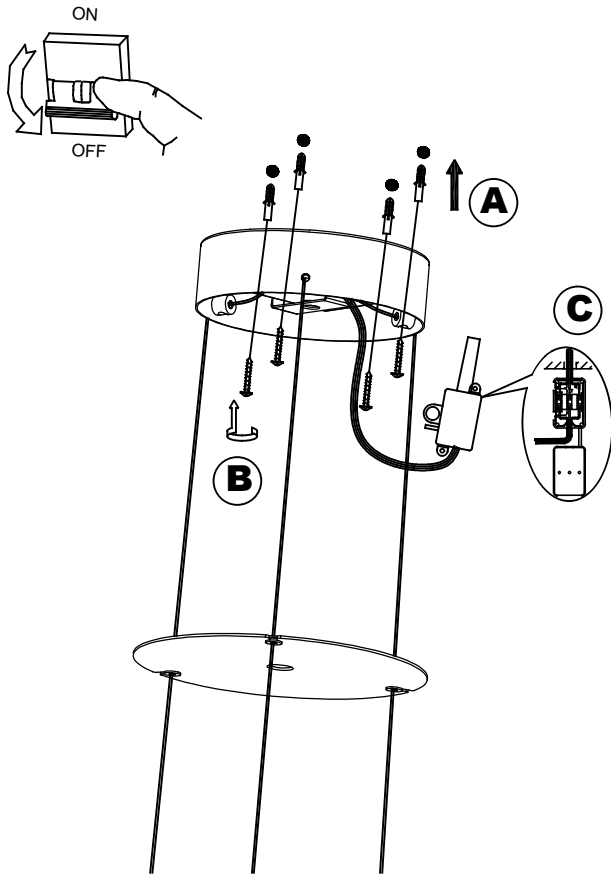
**Diffuser finish:** Tinted

#### GEAR

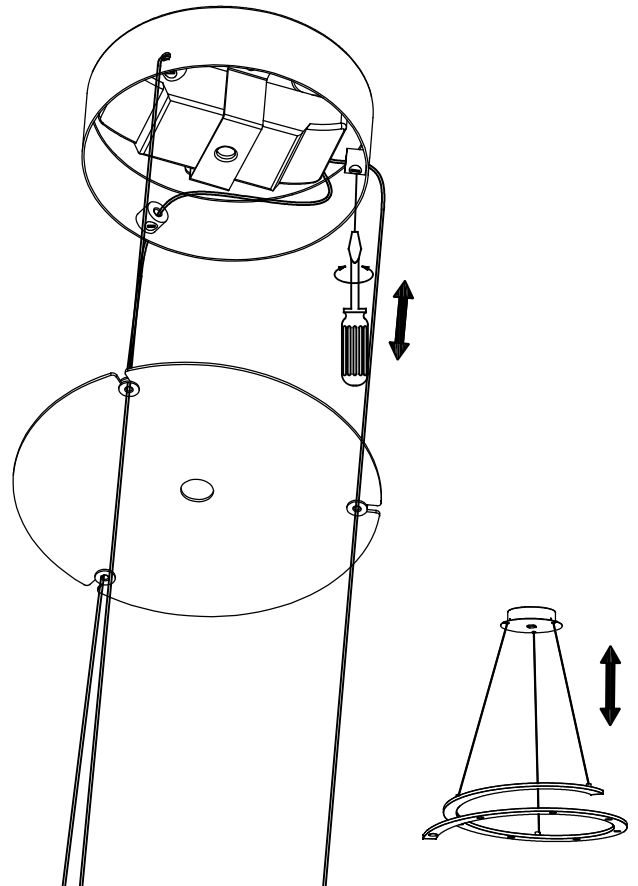
Multi-voltage electronic gear included (Yes)



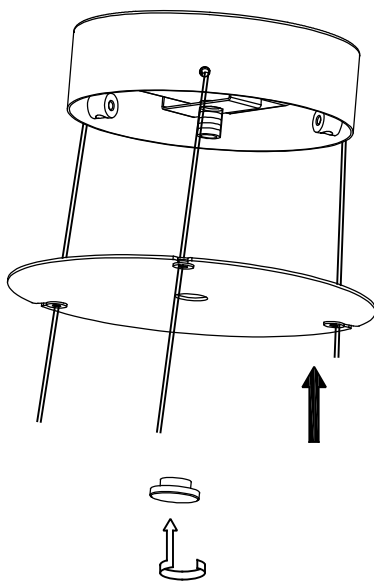
**1**



**2**



**3**



**4**

