

LEDS C4

BARCINO

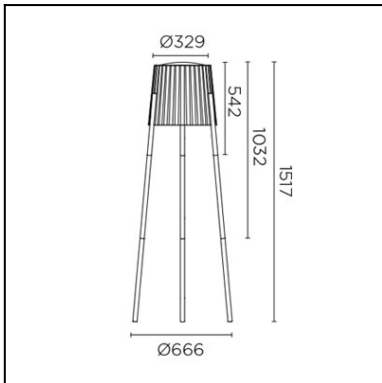
55-9880-Z5-M1

OUT 

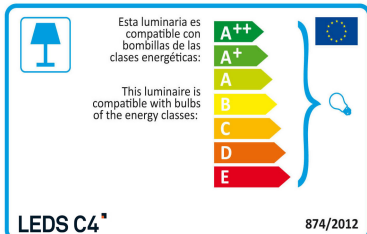
Design by Manel Llusca & Carlos Santolaria



The photograph may not match the reference exactly. Please read the product description to identify the finish.



Download photometric file .ldt /.ies



Click on image to download energy label

TECHNICAL CHARACTERISTICS

Type:	Table lamp
RPM:	-
IP Protection degrees:	IP65
Light source 1:	1 x E27
Bulb specified at the product label	max. 100W
Angle of the optics / Reflector:	
Voltage / Frequency:	220-240V/50-60Hz
Warranty:	2
Units per box:	1
Net Weight (Kg):	8.230
EAN Code:	8435381439866
CFM:	-
Stability:	>15°



MATERIALS / FINISHES

Structure material: High purity aluminium

Diffuser material: Polyethylene

Structure finish: Urban grey

Diffuser finish: White

