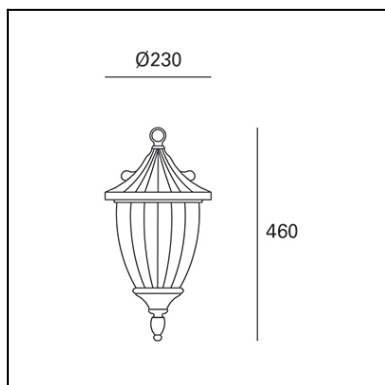


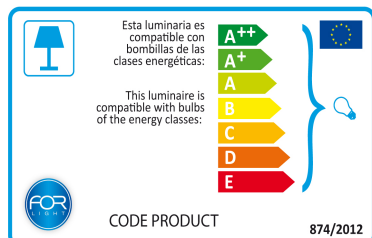
OUT



The photograph may not match the reference exactly. Please read the product description to identify the finish.



[Download photometric file .ldt /.ies](#)



[Click on image to download energy label](#)

TECHNICAL CHARACTERISTICS

Type:	Pendant
IP Protection degrees:	IP23
Light source 1: Bulb specified at the product label	1 x E27 MAX. 100W
IK Protection degrees:	IK05
Total power consumption (W):	100 W
Angle of the optics / Reflector:	
Voltage / Frequency:	100-240V/50-60Hz
Warranty:	5
Units per box:	4
Net Weight (Kg):	2.295
EAN Code:	8435381454203



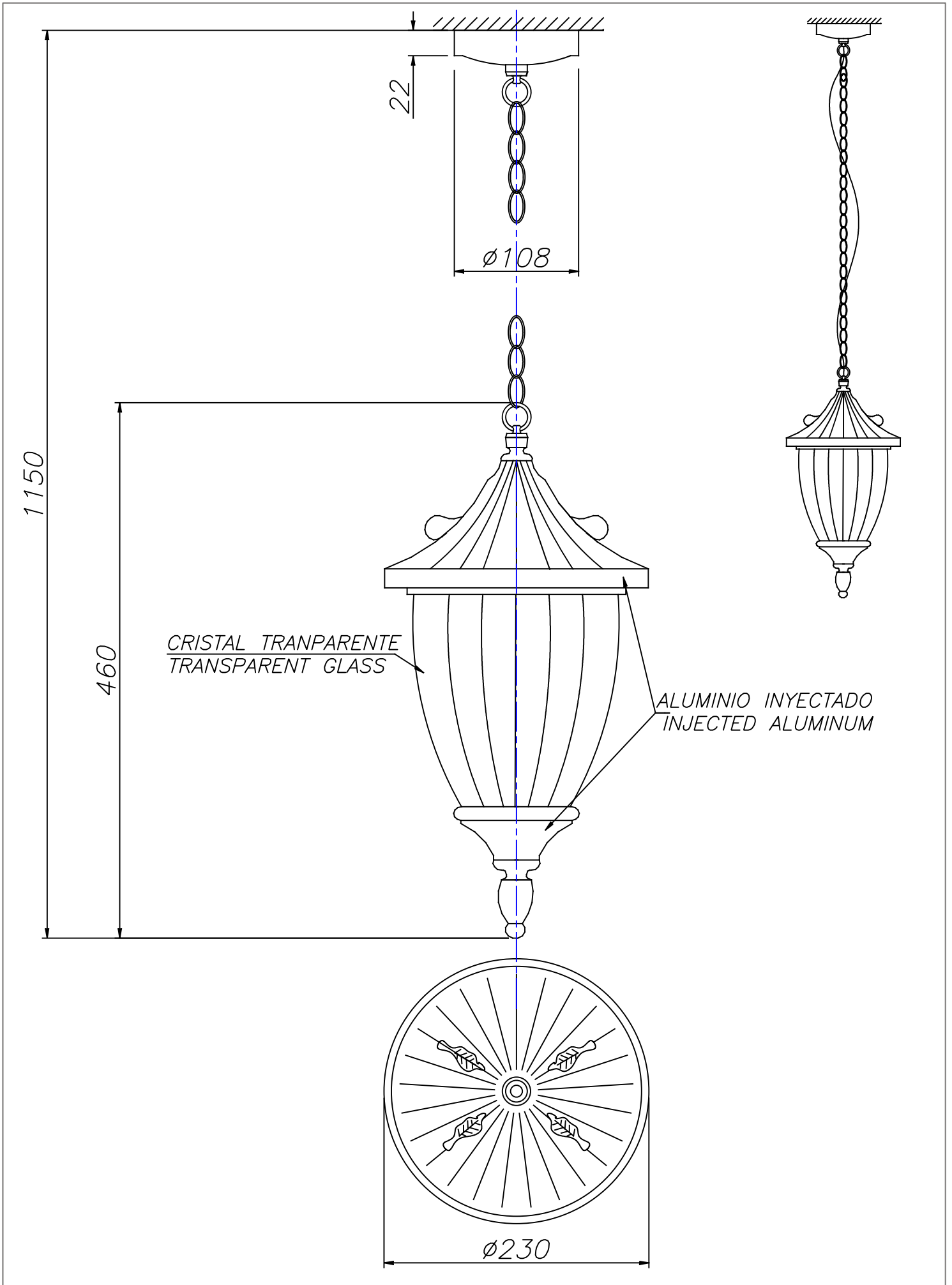
MATERIALS / FINISHES

Structure material: Injected aluminium

Diffuser material: Glass

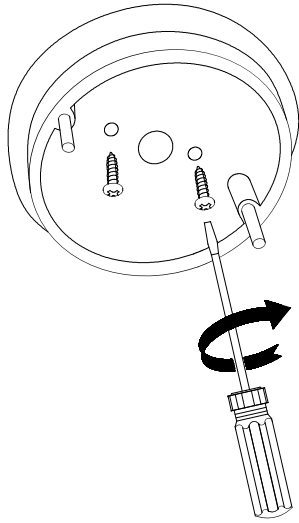
Structure finish: Oxide brown

Diffuser finish: Transparent

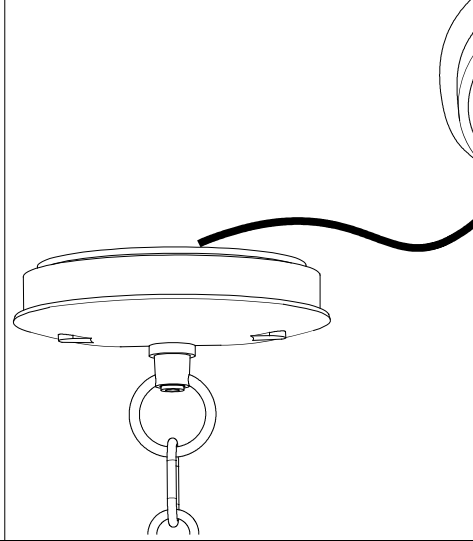




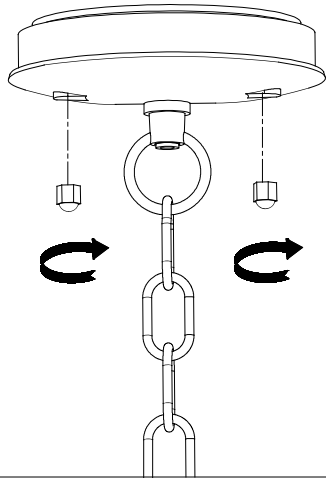
①



②



③



④

